



Durable Lightweight Tables & Chairs

## SwiftSet® Cart – Flat

### S P E C I F I C A T I O N S

Width	Height	Length	Weight
25.75" (65cm)	77.5" (197cm)	52.75" (134cm)	90 lbs. (41kg)

#### Applications:

The SwiftSet™ Cart – Flat is designed to hold 45 un-upholstered SwiftSet™ chairs stacked flat on the cart. Will not hold upholstered chairs. The chairs are secured in place by four vertical tubes that are part of the handle set. The feet of the SwiftSet™ chair interlock with each other, resulting in a secure stack. A strap is provided to secure the stack to the cart.

#### Primary Structure:

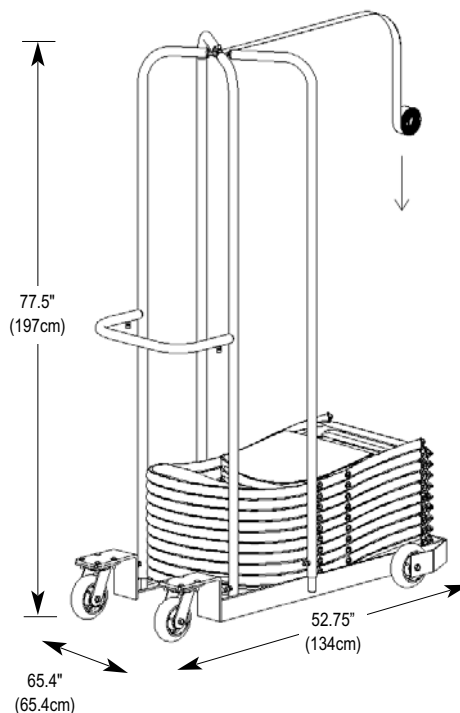
The cart shall consist of a steel base, steel handle set, 2 swivel casters, 2 wheels, and a protective bumper.

#### Casters:

The front wheels shall be 2" wide x 6" diameter, rounded, soft, thermoplastic elastomer tread, with 3/4" roller bearings.

The back wheels shall be contained in a swivel caster rig and shall be 2" wide x 6" diameter, rounded, soft, thermoplastic elastomer tread, with 3/4" roller bearings.

Part	Material Size
Main Frame	3/16" x 2" x 3" angle iron
Stacking Ramp	16 gauge (.065 thick) sheet metal
Axle	(2) - 1/2" bolt with hex nut and protective cap
Handle Insert Bar	1" solid steel bar
Handle Set	1 1/4 OD 16 gauge (.065 wall) round steel tubing
Handle Mount	1" 12 gauge (.109 wall) round steel tubing
Caster Mounting Plate	3/8" x 4" steel strap
Wheel Cover Plate	3/16" x 3" steel strap



Part Number: CRTCHSSFBLK2