



Durable Lightweight Tables & Chairs

Stacking Chair Cart - 2 Wheel

SPECIFICATIONS

	Width	Height	Length	Weight
Unloaded	22" (56cm)	54" (137cm)	29" (74cm)	25 lbs. (11.3kg)
Loaded	22" (56cm)	69" (175cm)	33" (84cm)	192 lbs (87kg)

Applications:

The Stacking Chair Cart – 2 Wheel holds 15 upholstered or non-upholstered SwiftSet® Stacking Chairs, but height of stack depends on angle of tilt when cart is leaned back.

Safe Hand Truck Capacities:

*Since hand trucks rely on the strength of the operator to balance the load, there is no single "safe capacity". Conditions such as the size and strength of the operator, the weight of the furniture being moved, and the presence or absence of thresholds, ramps or slick surfaces can all affect the capacity of hand trucks. It's always better to make a few extra trips than to risk injury to yourself or others by overloading the hand truck style Stacking Chair Cart – 2 wheel.

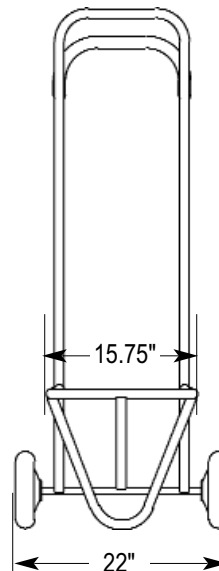
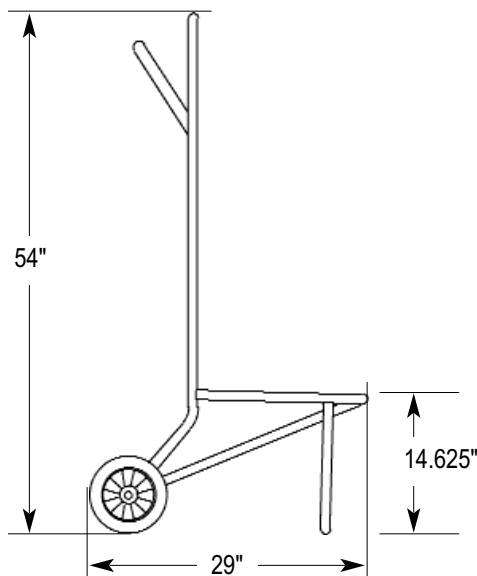
Wheel:

Wheels are 8" diameter x 2" wide, non-marring, round tread with 3/4" ball bearings. They shall have a load capacity of not less than 500 pounds each.

Part

Material Size

Main Frame	1" 14 gauge
Handle	14 gauge tube
Ground Stop	14 gauge tube
Scoop Brace	14 gauge tube
Scoop	14 gauge tube
Chair Stop	1/2" x 1/2" 16 gauge tube
Axle	3/4" steel solid rod



Part Number: CRTCSSKBLK2