

## Dual-Function Chair Cart

### S P E C I F I C A T I O N S

Width	Height	Length	Weight
18.75"	44.50"	41.50"	38.0lbs.
47.63cm	113cm	105cm	17.24kg

#### Applications:

The dual-function chair cart is designed as a universal chair transport system. The cart may be used for easy transport and storage of DuraMax<sup>™</sup> Pro resin folding chairs or Aluminum Chiavari chairs.

#### Cart Capacity:

DuraMax<sup>™</sup> Pro-One stack of 30 chairs.

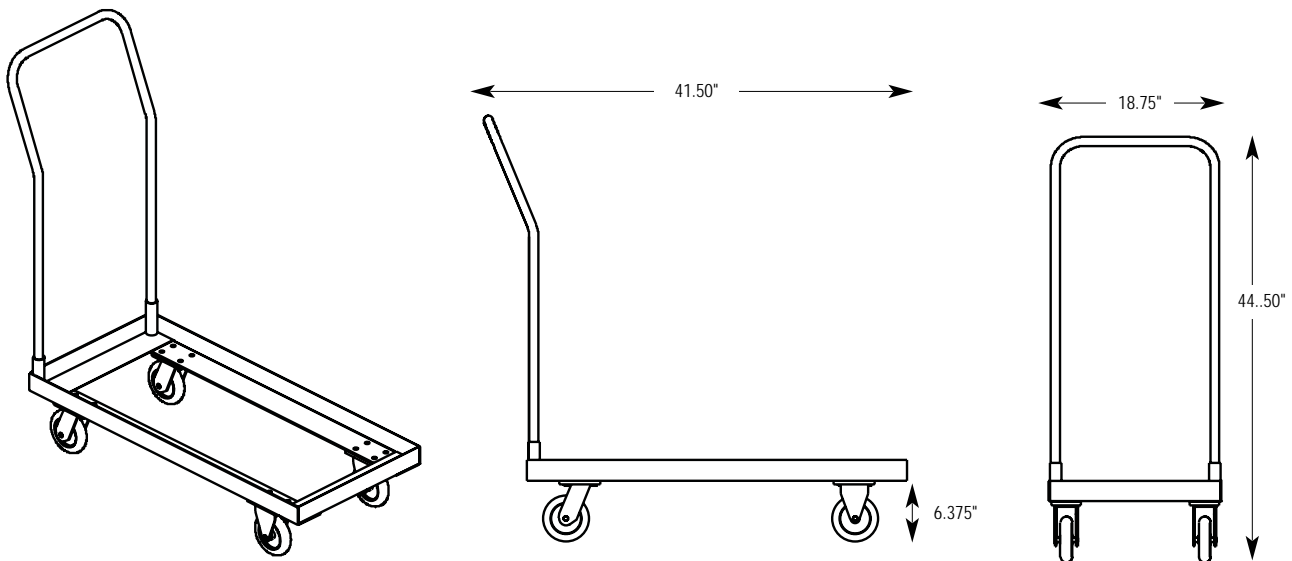
Aluminum Chiavari-14 chairs (Two stacks of 7 chairs.)

#### Frame Construction:

Welded frame is made of 14 gauge steel. Cart handle is made of 16 gauge steel.

#### Casters:

Cart includes two fixed casters along with two swivel casters for enhanced mobility. Each durable 4.75" Polyolefin caster supports up to 1,000 pounds (454kg).



Part Number: MRCART