



Durable Lightweight Tables & Chairs

Comfort Seating Cart-Stacking

SPECIFICATIONS

	Width	Height	Length	Weight
Unloaded	58" (147cm)	78" (198cm)	90" (229cm)	400 lbs. (181kg)
Loaded	58" (147cm)	78" (198cm)	90" (229cm)	1430 lbs (649kg)

Applications:

The Comfort Seating Cart-Stacking is designed to hold 64 Comfort Seating chairs or Generous width Comfort Seating chairs.

Primary Structure:

The cart shall consist of a base, ends, crossbars, 2 swivel casters, and 2 rigid casters.

Casters:

There shall be 2 swivel casters and 2 rigid casters. They shall be 8" diameter, made of Polyolefin Plastic.

They shall have a load capacity of not less than 400 pounds.

Base:

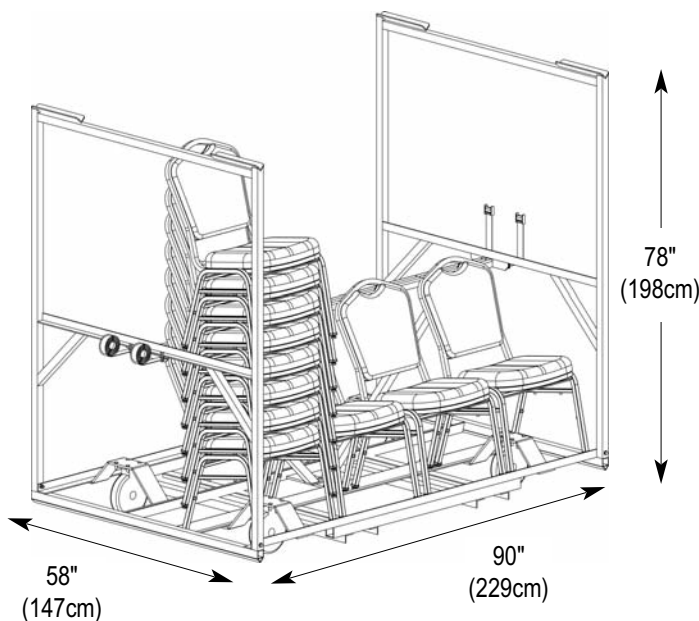
Part	Material Size
Outer Chair Locator	1-1/2" x 2" x 3/16" [3.8cm x 5cm x .5cm] steel angle
Inner Chair Locator	3" x 2" x 3/16" [7.6cm x 5cm x .5cm] steel angle
Caster Pad	4" x 3/8" [7.6cm x .95cm] steel strap
Center Support	4" x 3/8" [7.6cm x .95cm] steel strap
End Frame Support	1-1/2" x 1-1/2" [3.8cm x 3.8cm], 14 ga square steel tube
End Bottom Locator	1" x 1" x 1/8" [2.5cm x 2.5cm x .318cm] steel angle
Forklift Support	2" x 2", 3/16" [5cm x .5cm], square steel tube
Forklift Fork Guide	1-1/2" x 2" x 3/16" steel angle

Ends:

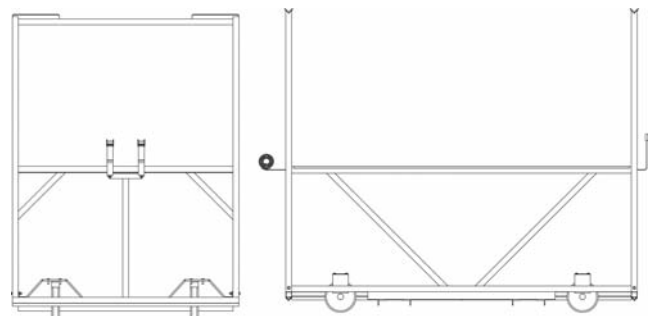
Part	Material Size
Corner Post	1-1/2" x 1-1/2", 3/16" square steel tube
Middle Crossbar	1-1/2" x 1-1/2" x 3/16" steel angle
Top Crossbar	1-1/2" x 1-1/2", 14 ga square steel tube
End Top Locator	1-1/2" x 1-1/2" x 3/16" steel angle
Gusset	1-1/2" x 1-1/2", 14 ga square steel tube

Crossbar:

Part	Material Size
Crossbar	1-1/2" x 1-1/2", 14 ga square steel tube
End Mount	1-1/2" x 1-1/2" x 3/16" steel angle
Angled Support	1-1/2" x 1-1/2", 14 ga square steel tube
Center Mount	2" x 1/4" steel strap



Fully assembled and loaded



Side view

Part Number: CRTSKCHHOBK