



Durable Lightweight Tables & Chairs

# Comfort Seating Cart-4 Wheel

## S P E C I F I C A T I O N S

Position	Width	Height	Length	Weight
Leaned Back	24" (61cm)	56" (141cm)	47" (114cm)	29 lbs. (13kg)
Tilted Forward	24" (61cm)	62" (156cm)	40" (106cm)	29 lbs. (13kg)
10 Host loaded (Leaned back)	24" (61cm)	81" (206cm)	53" (134cm)	169 lbs. (76kg)

**Applications:** The Comfort Seating Cart- 4 Wheel is designed to hold 10 Comfort Seating chairs.

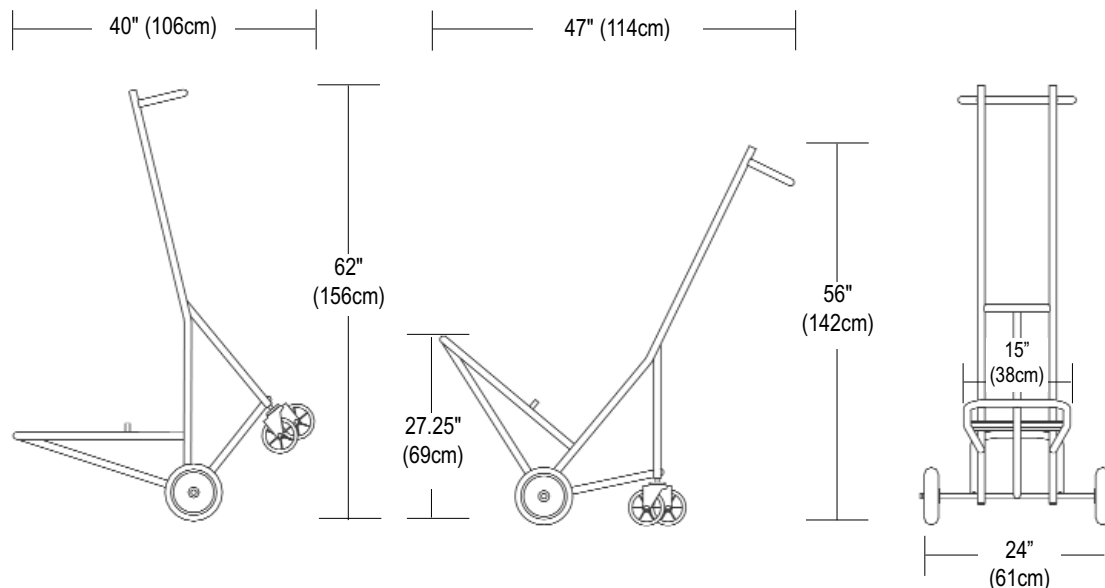
### Primary Structure:

Part	Material Size
Main Frame	1" x 16 gauge (.065 wall) round tubing
Chair Stop	5/8" x 1-1/4" x 18 gauge (.065 wall) oval tubing
Axle	3/4" cold-rolled solid steel bar

**Wheels:** 2 large wheels and 2 small casters

**Front Wheels:** Front wheels are 8" diameter x 2" wide, with non-marring round tread and 3/4" ball bearings. Each wheel has a load capacity of not less than 250 pounds each.

**Rear Casters:** Rear swivel casters are 3-1/2" diameter x 1-1/4" wide with non-marring, flat tread and adjustable threaded stem. Each rear caster has a load capacity of not less than 225 pounds each.



Part Number Example: CRT4WCHHTBLK2