



Durable Lightweight Tables & Chairs

X-Base-Stacking

SPECIFICATIONS

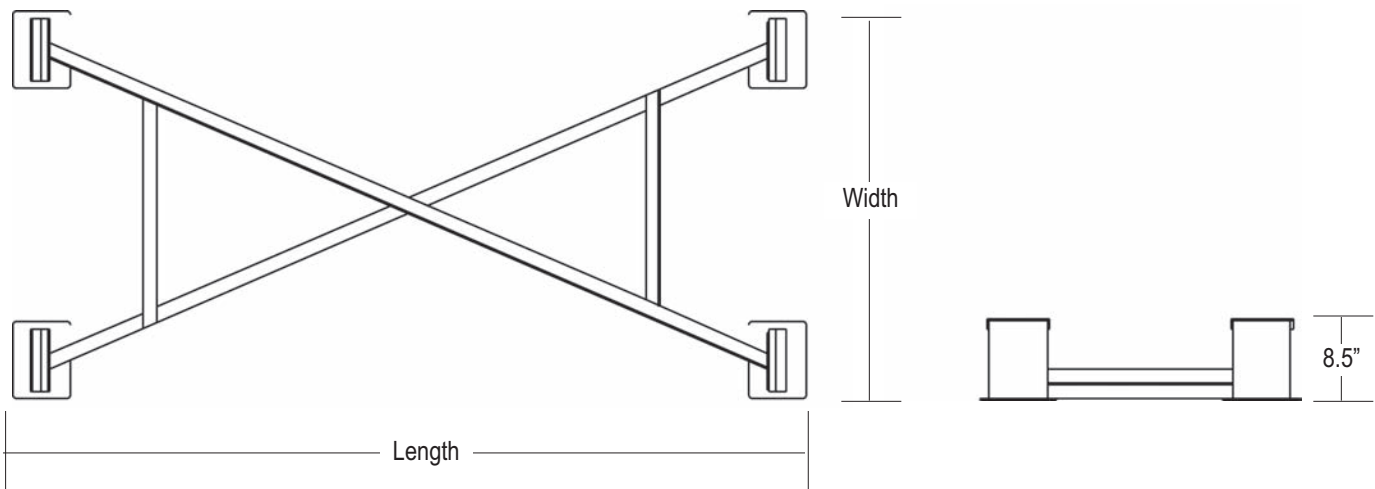
Sizes	Width	Height	Length	Weight
CT60	40.5" (103cm)	8.5" (22cm)	70.5" (179cm)	55 lbs (24kg)
CT72	40.5" (103cm)	8.5" (22cm)	82.5" (210cm)	57 lbs (26kg)
RT3072	35.5" (90cm)	8.5" (22cm)	82.5" (210cm)	56 lbs (25.4kg)
RT3096	35.5" (90cm)	8.5" (22cm)	106.5" (271cm)	60 lbs (27.2kg)
RT3672	41.5" (105cm)	8.5" (22cm)	82.5" (210cm)	57 lbs (26kg)
RT3696	41.5" (105cm)	8.5" (22cm)	106.5" (271cm)	61 lbs (28kg)
CHSS	34" (86cm)	8.5" (22cm)	96" (244cm)	58 lbs (26kg)

Applications:

The X Base – Stacking is designed to hold up to 3 Mity-Lite table or chair stacking carts. A fork lift is necessary to lift the carts onto the base. The base takes the weight off the casters.

Primary Structure:

Part	Material Size
Main Frame	1 1/2 x 1 1/2 x 0.1875 angle iron that is welded to uprights
Uprights	2 x 6 x 0.120 rectangle tubing
Base Plate	1/4 x 8 steel plate that is welded to the bottom of uprights welded to the bottom of uprights
Foot Assembly:	
Base	1/4 x 8 x 6
Upright	2 x 6 x 11 gauge
Support	1 1/4 x 1 1/2 x 2/16 angle



Part Number: XBCT60BLK