

SPECIFICATIONS

Applications:

The Serpentine Cart – Edge is designed to hold up to 8 serpentine tables stacked on edge. A handle is provided at the swivel caster end of the cart allowing the user to easily steer the cart. Handles are also provided on each side of the cart to hold the tables in position. Distance between end and side handles is 27 1/2”.

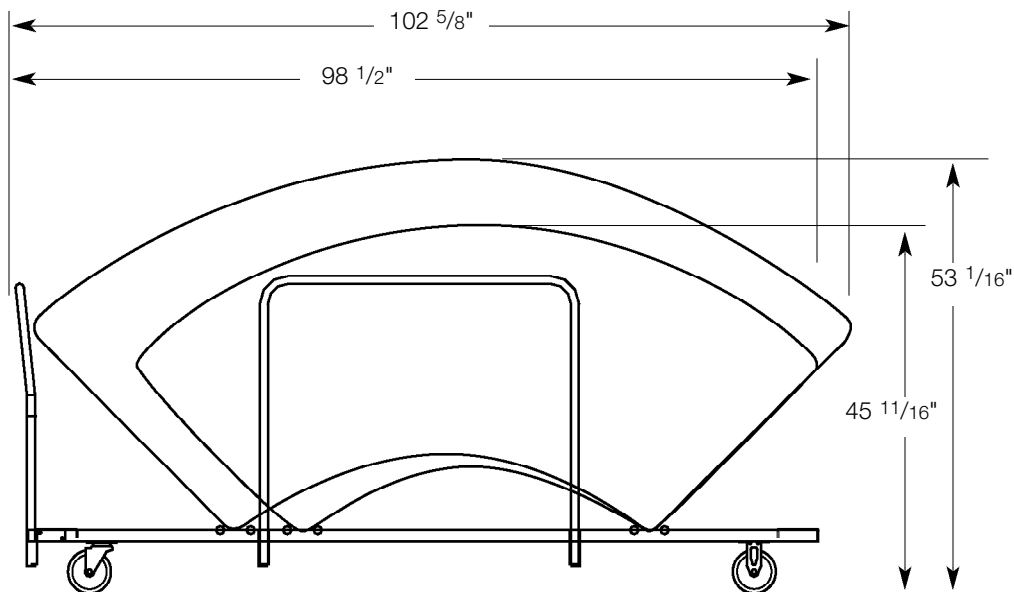
QUICK SPECS				
Size	Width	Height	Length	Weight
ST3060	30"	39 3/8"	98 1/2"	72 1/2 lbs
ST3672	30"	39 3/8"	98 1/2"	75 1/2 lbs
Table Width		Height Loaded	Length Loaded	
30"		45 11/16"	98 1/2"	
36"		53 1/16"	102 5/8"	

Primary Structure:

Part	Material Size
Main Frame	bent and punched 14 gauge (.083) steel sheet metal
Handle Sockets	1 1/4" x 11 gauge (.120 wall) round tubing
Front Handle	1" x 14 gauge (.083 wall) round tubing
Side Handles	1" x 12 gauge (.109 wall) round tubing
Table Supports	1" x 14 gauge (.083 wall) round tubing

Casters:

The wheels shall be not less than 1 1/4" wide x 5" diameter, non-marring, flat tread, thermoplastic elastomer, with 3/8" ball or roller bearings. Wheels shall be mounted on two swivel caster rigs and two fixed caster rigs. They shall have a load capacity of not less than 325 pounds each.



PART NUMBER: CRTSERPEBLK2

www.mitylite.com 1.800.327.1692 • 1.801.224.0589 • fax 1.801.224.6191