

RT Cart-Flat

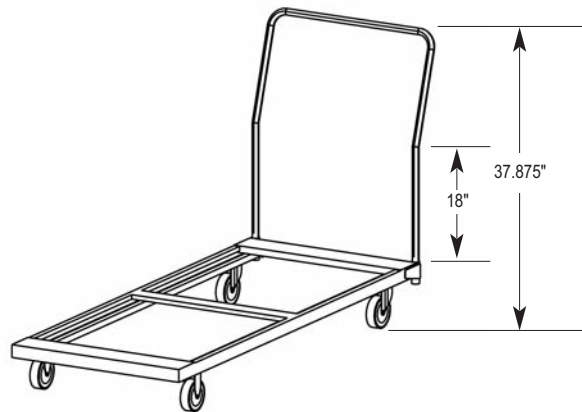
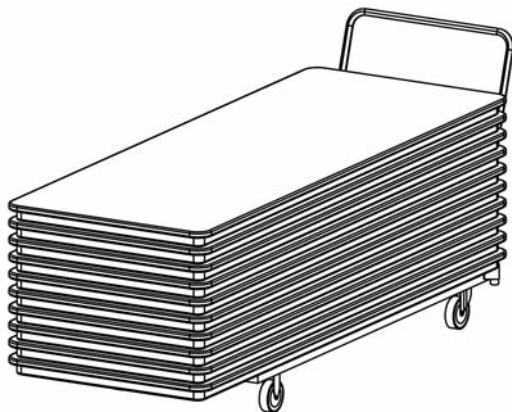
S P E C I F I C A T I O N S

Size	Width	Height (w/standard handle)	Height (handle in)	Length	Weight
3072	30" (76.2cm)	37.875" (96cm)	26.25" (67cm)	74.5" (19cm)	60 lbs (27kg)
3096	30" (76.2cm)	37.875" (96cm)	26.25" (67cm)	98.5" (250cm)	68 lbs (31kg)
3696	36" (91cm)	37.875" (96cm)	26.25" (67cm)	98.5" (250cm)	71 lbs (32kg)

Applications: The RT Cart – Flat is designed to hold up to 10 rectangular tables stacked flat on the cart. A handle is provided at the swivel caster end of the cart allowing the user to steer the cart. The tables contain stacking buttons at each corner helping to keep them from sliding off of each other.

Casters: Wheels shall not be less than 1 1/4" wide x 5" diameter, non-marring, flat tread, thermoplastic elastomer, with 3/8" ball or roller bearings. Wheels shall be mounted on two swivel caster rigs and two fixed caster rigs. They shall have a load capacity of not less than 325 pounds each.

Part	Material Size
Main Frame	bent and punched 14 gauge (.083) steel sheet metal
Handle Sockets	1.25" x 12 gauge (.109 wall) round tubing
Handles	1" x 14 gauge (.083 wall) round tubing



Part Number: Standard height – CRT2460FBLK2, Short height – CRT2460FBLK3