

RT Cart – Stacking



the leader in lightweight durability

SPECIFICATIONS

Applications:

The RT Cart – Stacking is designed to hold up to 15 rectangular tables stacked flat ranging in size from 30" x 72" to 36" x 96". Carts will hold 30 rectangular tables sizes 18" x 72" and 18" x 96". The heavy duty construction allows the carts to be stacked up to 3 high only when the Mity-Lite X-Base – Stacking is used.

QUICK SPECS

Cart	Width	Height	Length	Weight
RT3072	34"	60"	78"	190 lbs.
RT3096	34"	58"	102 1/4"	200 lbs.
RT3672	40"	60"	78"	201 lbs.
RT3696	40"	60"	104"	211 lbs.

Primary Structure:

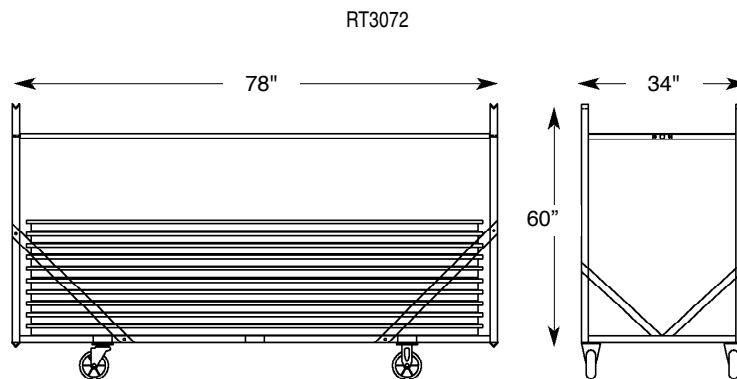
The main frame shall consist of 14 gauge (0.083") mild sheet metal bent to shape and welded to side runners consisting of 1 1/2" x 1 1/2" x 0.188" angle iron. Two cross pieces of 1 1/2" x 1 1/2" x 0.188" angle iron shall be welded to bottom of main cart to provide added support as well as a guide for the forks of the fork lift. Brackets to accommodate casters shall be welded to bottom of primary structure. Casters shall be attached to brackets using 3/8" x 5" carriage bolts with self-locking nuts.

End Frames;

End frames shall consist of uprights made of 1 1/2" x 1 1/2" x 11 gauge (0.120" wall) square tubing. Bottom cross piece shall consist of 1 1/2" x 1 1/2" x 0.188" angle iron. A diagonal brace consisting of 1 1/2" x 0.25" flat steel bar shall be welded to the uprights and the bottom cross piece. Top and bottom of end frame shall have a 1 1/4" x 1 1/4" x 0.125" angle iron welded to upright in a "v" orientation to accommodate stacking of carts. End frame shall have a middle cross welded in place 8" below the top to accommodate bolting the center bar between the end frames. End frame shall bolt to the main frame using 3/8" x 1" bolts with self-locking nuts. A diagonal brace consisting of 2" x 0.25" flat steel bar shall connect the end frames and main frame with 3/8" x 2 1/2" carriage bolts and self locking nuts.

Casters:

The cart shall have two swivel casters and two rigid casters. Wheels shall be 2" wide x 6" diameter, polyolefin, with 3/4" greasable roller bearings. Casters shall have a dynamic load capacity of not less than 850 pounds each.



PART NUMBER EXAMPLE: CRTSKRT3072BLK

www.mitylite.com 1.800.327.1692 • 1.801.224.0589 • fax 1.801.224.6191