

SPECIFICATIONS

Applications:

The CT/RT Cart–24 Knock-down is designed to hold 24 disassembled Knock-down style tables. The cart has twelve slots that hold two table tops each, two slides that hold 12 bases each, and a storage box that holds 48, 30" and 42" knock-down legs.

QUICK SPECS

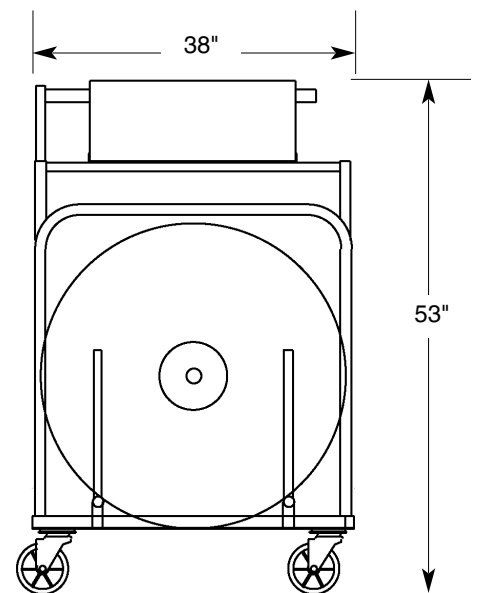
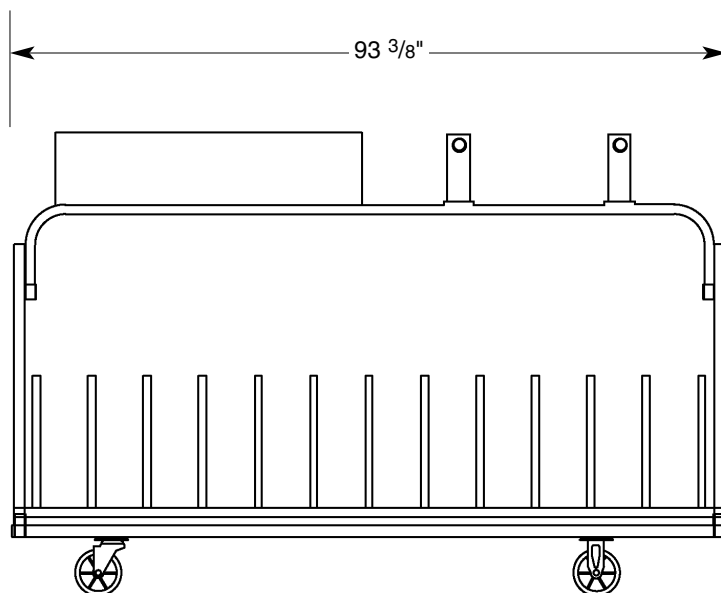
Width	Height Empty	Height Loaded	Length	Weight
38"	53"	61 1/4"	93 3/8"	250 lbs.

Primary Structure:

Part	Material Size
Main Frame	angle iron 1 1/2" x 1 1/2" x 3/16"
Upright posts	round tube 1" x 14 gauge
Handle and top frame	round tube 1 1/4" x 14 gauge
Top frame cross members	round tube 1" x 14 gauge
Table base slides	round tube 1 1/2" x 10 gauge
Castor pads	steel strap 5" x 37 1/2" x 1/4"

Casters:

Casters are 2" wide x 6" diameter, with black polyolefin tread, or grey non-marring tread. Wheels are mounted on two swivel caster rigs and two fixed caster rigs with a load capacity of not less than 325 pounds each.



PART NUMBER EXAMPLE: CRTDLBLK2

www.mitylite.com 1.800.327.1692 • 1.801.224.0589 • fax 1.801.224.6191