



Durable Lightweight Tables & Chairs

## CT/RT Cart 24-Knockdown

### S P E C I F I C A T I O N S

|          | Width      | Height          | Length          | Weight           |
|----------|------------|-----------------|-----------------|------------------|
| Unloaded | 38" (97cm) | 53" (135cm)     | 93.375" (237cm) | 250 lbs. (51kg)  |
| Loaded   | 38" (97cm) | 61.125" (155cm) | 93.375" (237cm) | 924 lbs (419kg)* |

\* maximum weight; weight will vary depending on table size

#### Applications:

The CT/RT Cart-24 Knock-down is designed to hold 24 disassembled Knock-down style tables. The cart has twelve slots that hold two table tops each, two slides that hold 12 bases each, and a storage box that holds 48, 30" and 42" knock-down legs.

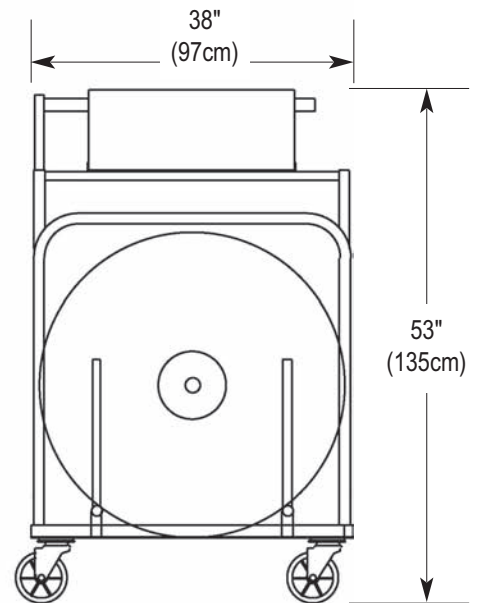
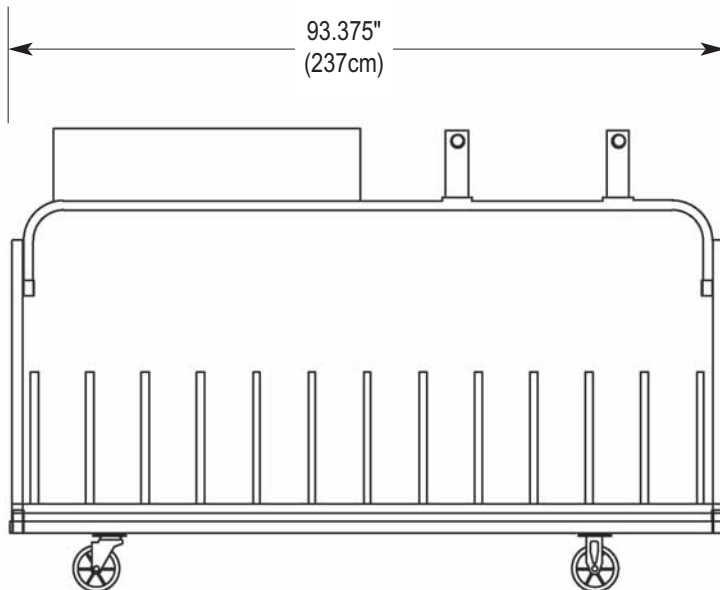
#### Casters:

Casters are 2" wide x 6" diameter, with black polyolefin tread, or grey non-marring tread. Wheels are mounted on two swivel caster rigs and two fixed caster rigs with a load capacity of not less than 325 pounds each.

#### Part

#### Material Size

|                         |                                    |
|-------------------------|------------------------------------|
| Main Frame              | angle iron 1 1/2" x 1 1/2" x 3/16" |
| Upright posts           | round tube 1" x 14 gauge           |
| Handle and top frame    | round tube 1 1/4" x 14 gauge       |
| Top frame cross members | round tube 1" x 14 gauge           |
| Table base slides       | round tube 1 1/2" x 10 gauge       |
| Castor pads             | steel strap 5" x 37 1/2" x 1/4"    |



Part Number: CRTDLBK2